



FEATURES

- Solid brass construction - **LEAD FREE**
- Single volume and temperature lever control
- Aerated water flow
- Press pop-up drain with overflow # ABDR00699
- Ceramic cartridge # ABCA04500
- 3/8" connection
- 16" stainless steel braided supply hose

FINISHES

- Standard
- polished chrome (pc)
- brushed nickel (bn)
- tiger bronze (tt)
- Custom
- 18 custom finishes available
- (ask your local Aquabress authorized dealer for details)

WARRANTY

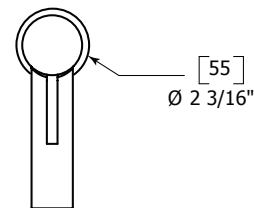
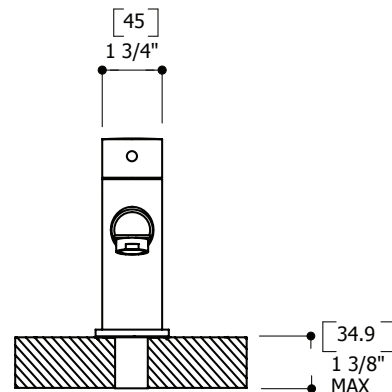
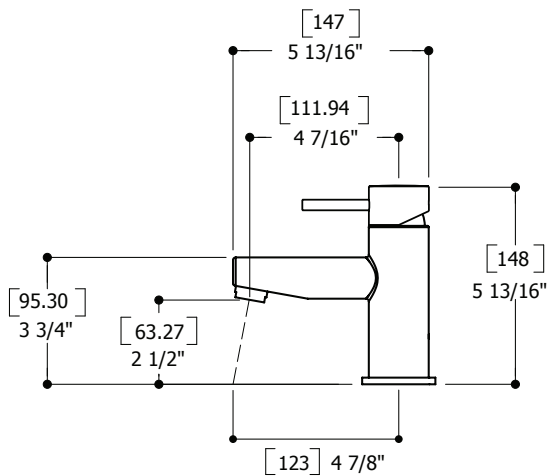
- Residential: Limited lifetime warranty to original purchaser
- Commercial: Two years warranty
- (Complete warranty available at www.aquabress.com/warranty)

CODE & COMPLIANCE

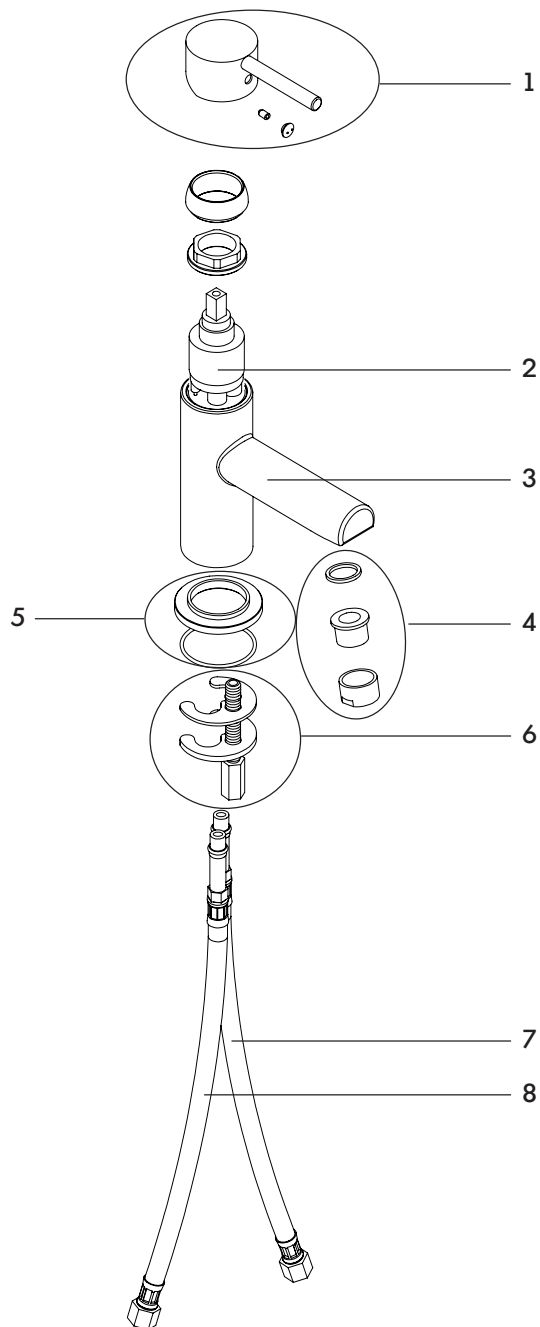
AB1953

SPECS AT LARGE

- Overall spout projection: 5 13/16" Flow rate: 1.5 gpm
- CC spout projection: 4 7/16" Mounting hole: 1 3/8"
- Total plate height: 5 13/16" Counter depth: 1 3/8"



EXPLOSION PARTS



Item	Code	English	Français
1	ABFC12875	Handle Kit	Ensemble poignée
2	ABCA04075	35mm cartridge	Cartouche 35mm
3	ABFC10475	Faucet body	Corps du robinet
4	ABAE14003	Aerator kit	Ensemble aérateur

Item	Code	English	Français
5	ABFP07120	Faucet base kit	Ensemble base de robinet
6	ABFP09171	Retainer kit	Ensemble de fixation
7	ABFH09227	Cold water hose	Flexible d'eau froide
8	ABFH09224	Hot water hose	Flexible d'eau chaude